

## Single Chip Light Electricity Characteristic Data

Model No	. E1-2028AHR1
----------	---------------

① 絶対最大定格 (Ta=25°C) Absolute Maximum Ratings:

Power Dissipation	. . . . .	50mW
Peak Forward Current	. . . . .	100 mA
Reverse Voltage	. . . . .	5V
Operating Temperature	. . . . .	-40°C ~ +85°C
Storage Temperature	. . . . .	-40°C ~ +85°C
Storage Humidity	. . . . .	45% ~ 85%

② 光学的電氣的特性 (Ta=25°C) Electrical—Optical Characteristics:

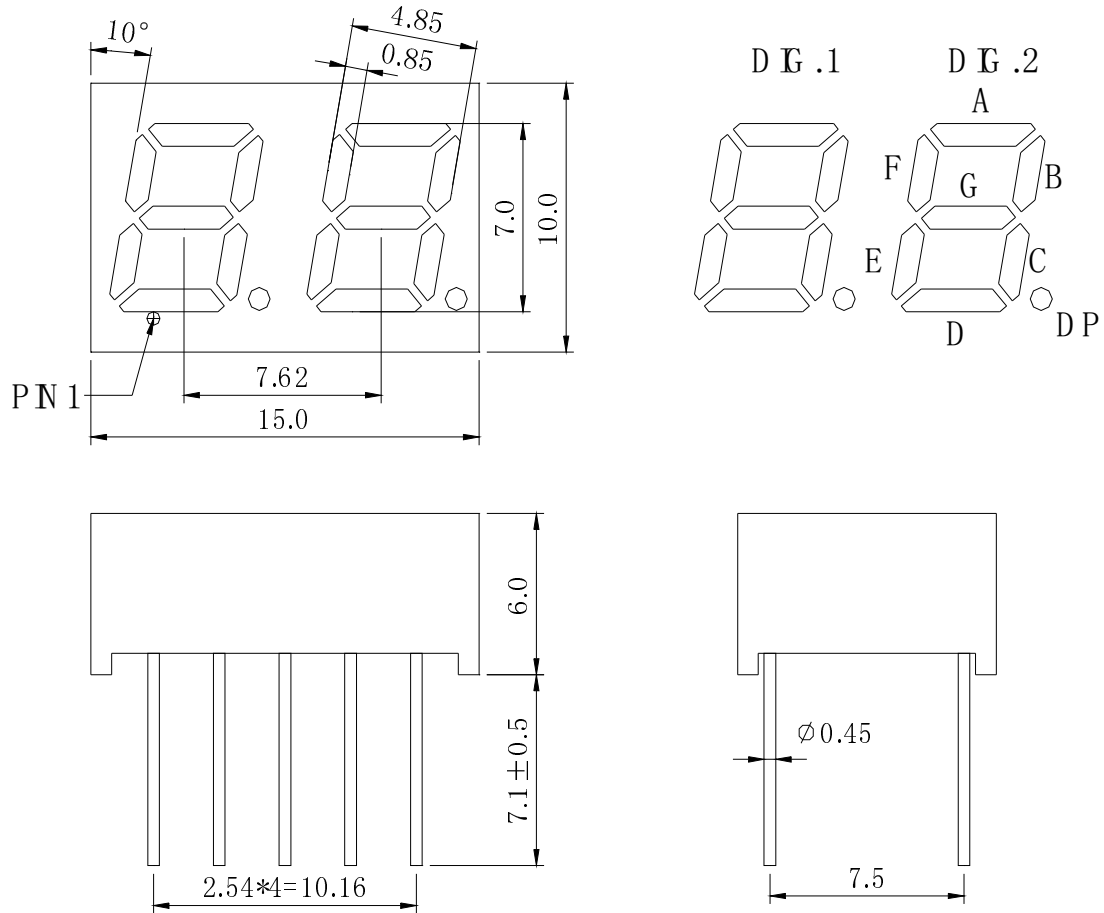
Item	Symbol	Test Conditions	Min	Typ	Max	Unit
Dc Forward Voltage	VF	IF=20mA	1.7	1.85	2.1	V
Dc Reverse Current	IR	VR=5V	-	-	50	μA
Luminous Intensity	IV	IF=20mA	-	12	-	mcd
Wavelength Characteristic	λP	IF=20mA	-	645	-	nm

Note : Soldering Bath : not more than 5 seconds @260°C ◦ The bottom ends of plastic reflector should be at least 2mm above the solder surface ◦

Soldering Iron : not more than 3 seconds @300°C under 30W ◦

# PART No.: E1-2028ASR1

## PACKAGE DIMENSION (Unit:mm Tolerance: $\pm 0.25$ )



## INTERNAL CIRCUIT DIAGRAM

