

LED NUMERIC DISPLAY

Model No	E1-4052CSB1
----------	-------------

① 絶対最大定格 (Ta=25°C) Absolute Maximum Ratings:

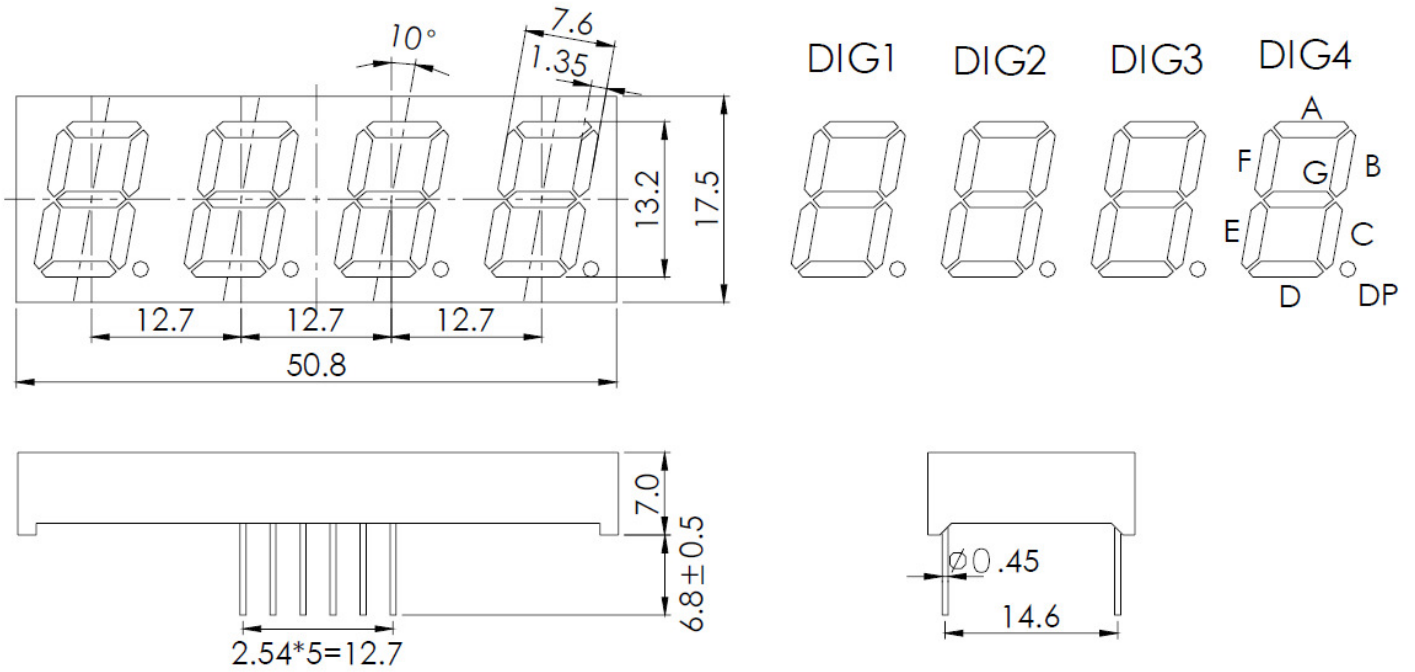
Power Dissipation	80mW
Peak Forward Current	60mA
Reverse Voltage	5V
Operating Temperature	-25°C ~ +80°C
Storage Temperature	-30°C ~ +85°C
Soldering Temperature	Dip Soldering: 260°C for 5 sec. Hand Soldering: 350°C for 3sec.

② 光学的電氣的特性 (Ta=25°C) Electrical—Optical Characteristics:

Item	Symbol	Test Conditions	Min	Typ	Max	Unit
Dc Forward Voltage	VF	IF=20mA Color Blue	2.7	3.2	3.7	V
Dc Reverse Current	IR	VR=5V		---	50	μA
Luminous Intensity	IV	IF=20mA Color Blue	45	60	75	mcd
Wavelength Characteristic	λP	IF=20mA Color Blue	465	470	475	Nm
Normal Forward Current	IF		5	10	20	mA

PART No.: E1-4052CSB1

PACKAGE DIMENSION(Unit:mm Tolerance: ± 0.5)



INTERNAL CIRCUIT DIAGRAM

