

Single Chip Light Electricity Characteristic Data

Model No	F1-4060CHR1-24
----------	----------------

① 絶対最大定格 (Ta=25°C) Absolute Maximum Ratings:

Power Dissipation	50mW
Peak Forward Current	100 mA
Reverse Voltage	5V
Operating Temperature	-20°C ~ +65°C
Storage Temperature	-20°C ~ +65°C
Storage Humidity	45% ~ 85%

② 光学的電氣的特性 (Ta=25°C) Electrical—Optical Characteristics:

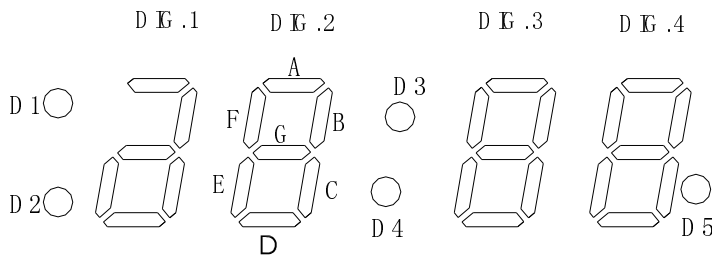
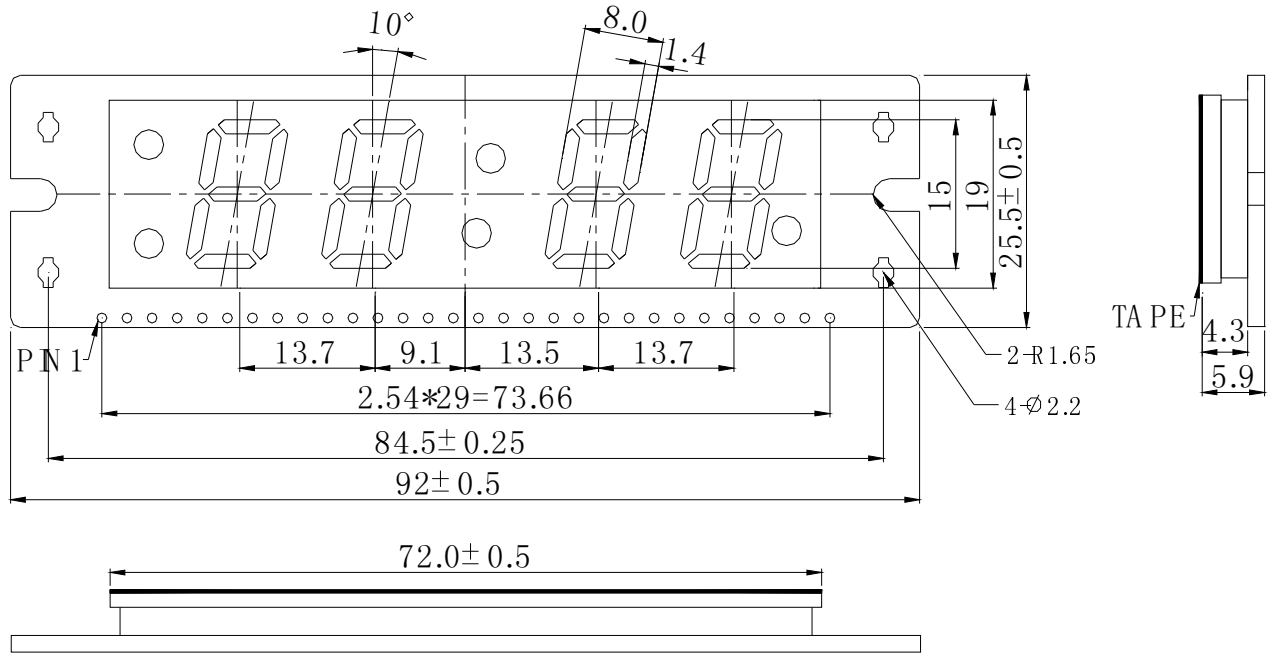
項目 Item	記號 Symbol	條件 Test Conditions	最小 Min	典型 Typ	最大 Max	單位 Unit
直流順電壓 Dc Forward Voltage	VF	IF=20mA	1.7	1.9	2.1	V
直流逆電流 Dc Reverse Current	IR	VR=5V	-	-	50	μA
發光亮度 Luminous Intensity	IV	IF=20mA	-	10	-	mcd
波長特性 Wavelength Characteristic	λP	IF=20mA	-	645	-	nm
正常使用正向電流 Normal Forward Current	IF (Normal)	-	5	10	20	mA

Note : Soldering Bath : not more than 5 seconds @260°C 。 The bottom ends of plastic reflector should be at least 2mm above the solder surface 。

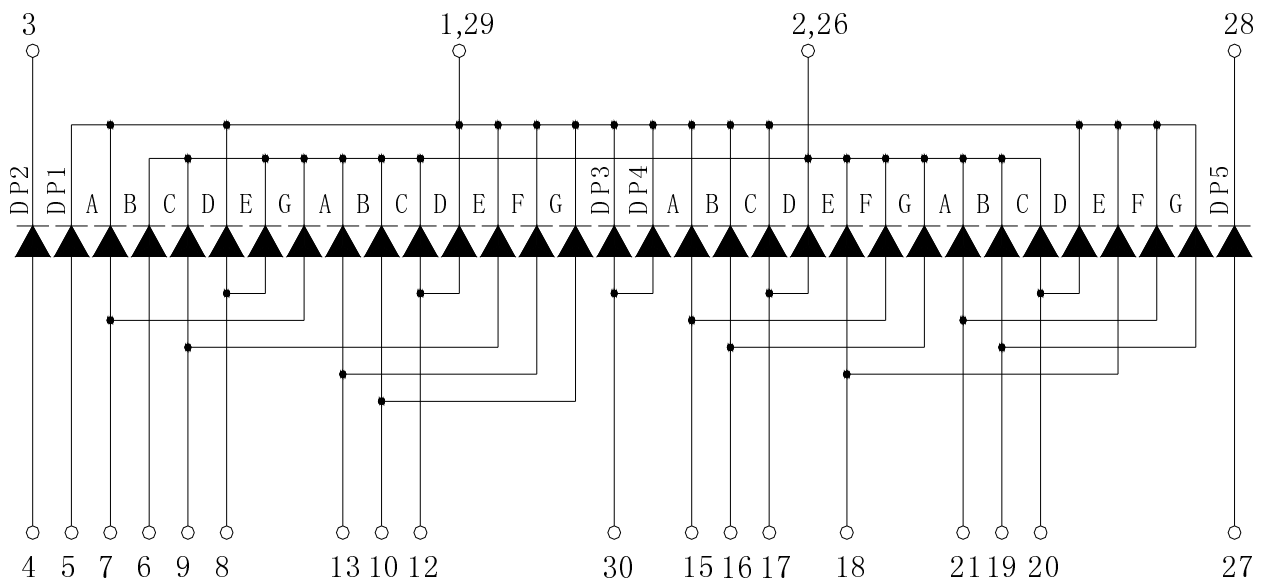
Soldering Iron : not more than 3 seconds @300°C under 30W 。

PART No.: F1-4060CHR1-24

PACKAGE DIMENSION (Unit:mm Tolerance: ± 0.25)



INTERNAL CIRCUIT DIAGRAM



11,14,22,23,24,25 NO CONNECT