

Single Chip Light Electricity Characteristic Data

Model No	JLDS-3191BH
----------	-------------

① 絶対最大定格 (Ta=25°C) Absolute Maximum Ratings:

Power Dissipation	25mW
Peak Forward Current	100 mA
Reverse Voltage	5V
Operating Temperature	-25°C ~ +85°C
Storage Temperature	-25°C ~ +85°C
Soldering Temperature	260°C

② 光学的電氣的特性 (Ta=25°C) Electrical—Optical Characteristics:

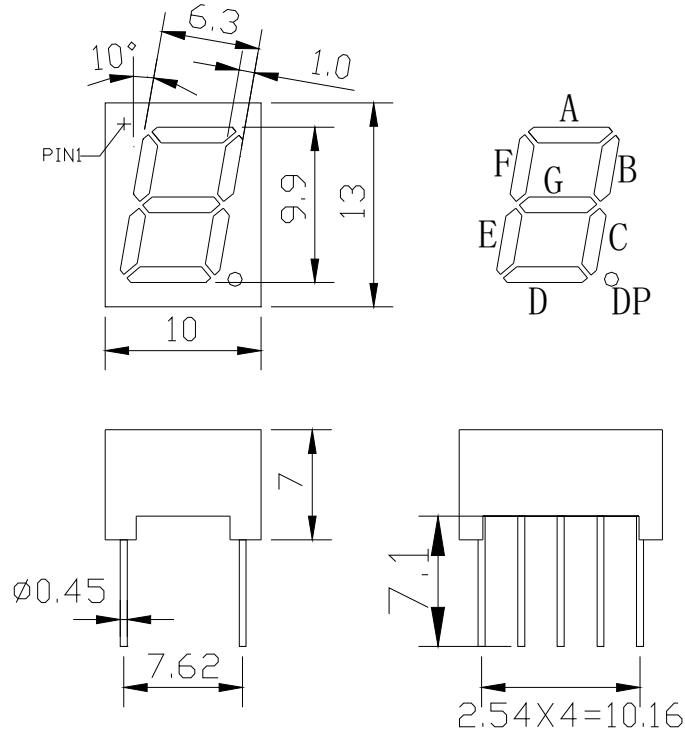
Item	Symbol	Test Conditions	Min	Typ	Max	Unit
Dc Forward Voltage	VF	IF=20mA	1.7	1.85	2.1	V
Dc Reverse Current	IR	VR=5V	-	---	50	μA
Luminous Intensity	IV	IF=20mA	-	18	-	mcd
Wavelength Characteristic	λP	IF=20mA	-	642	-	nm

Note : Soldering Bath : not more than 5 seconds @260°C ◦ The bottom ends of plastic reflector should be at least 2mm above the solder surface ◦

Soldering Iron : not more than 3 seconds @300°C under 30W ◦

PART No.: JLDS-3191BH

PACKAGE DIMENSION (Unit:mm Tolerance: ± 0.25)



INTERNAL CIRCUIT DIAGRAM

